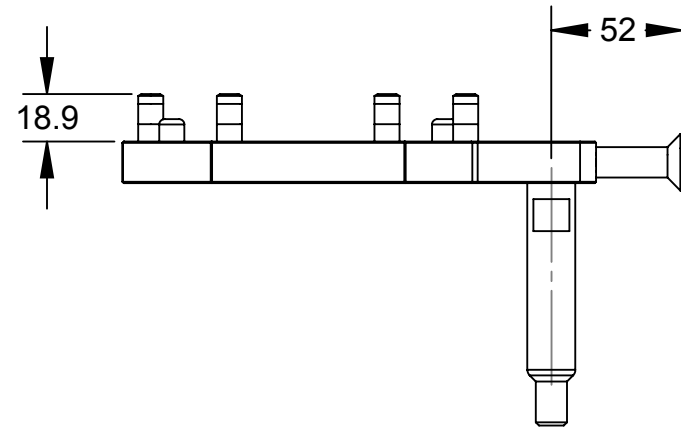
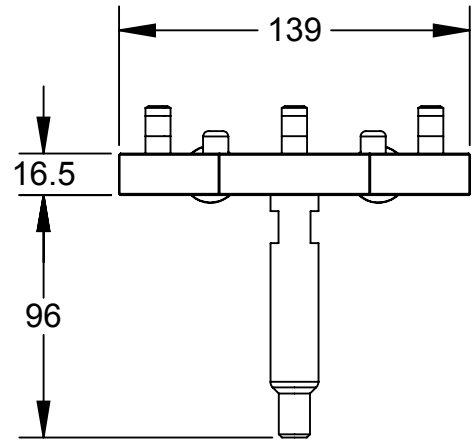
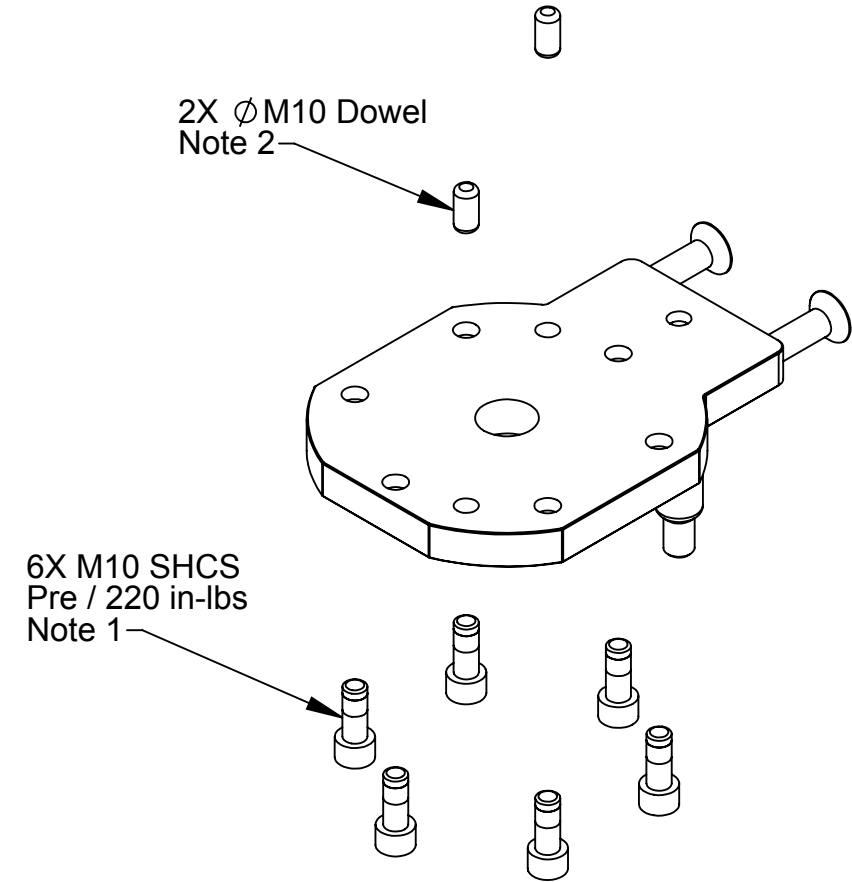
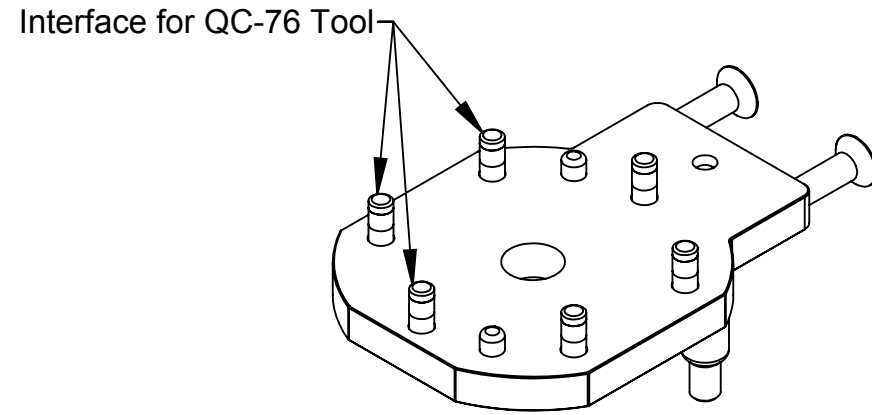
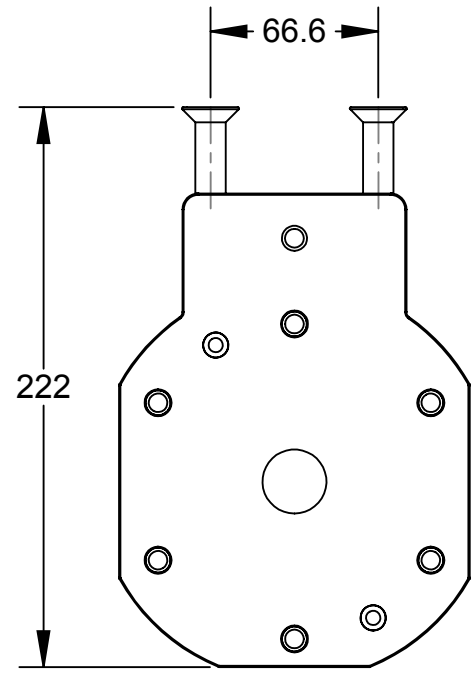


Rev.	Description	Initiator	Date
01	Initial Drawing	DAW	1/7/2015



ITEM NO.	QTY.	PART NUMBER	DESCRIPTION
1	1	9120-TSM-HVQ-7290	TSM Tooling Interface Plate for QC-76 - Blank

NOTES: UNLESS OTHERWISE SPECIFIED.

DO NOT SCALE DRAWING. ALL DIMENSIONS ARE IN MILLIMETERS.



1031 Goodworth Drive, Apex, NC 27539, USA
 Tel: +1.919.772.0115 Email: info@ati-ia.com
 Fax: +1.919.772.8259 www.ati-ia.com
 ISO 9001 Registered Company

PROPERTY OF ATI INDUSTRIAL AUTOMATION, INC. NOT TO BE REPRODUCED IN ANY MANNER EXCEPT ON ORDER OR WITH PRIOR WRITTEN AUTHORIZATION OF ATI.

Notes:

- Customer to install pre-applied fasteners and torque to listed value
- Customer to install dowel pins into QC-76 Tool Body.



3rd ANGLE PROJECTION

DRAWN BY: D. Wooden 1/7/2015		TITLE	
CHECKED BY: KRZ 1/7/2015		TSM Tooling Interface Plate for QC-76 - Blank	
PROJECT # -	SHEET 1 OF 1	SCALE	SIZE
		1:5	B
		DRAWING NUMBER	REVISION
		9630-20-TSM-HVQ-7290	01